



BRACKET
MEASUREMENTS
& INFORMATION

for

CURTAIN MAKERS
& FITTERS

Factory & Showroom

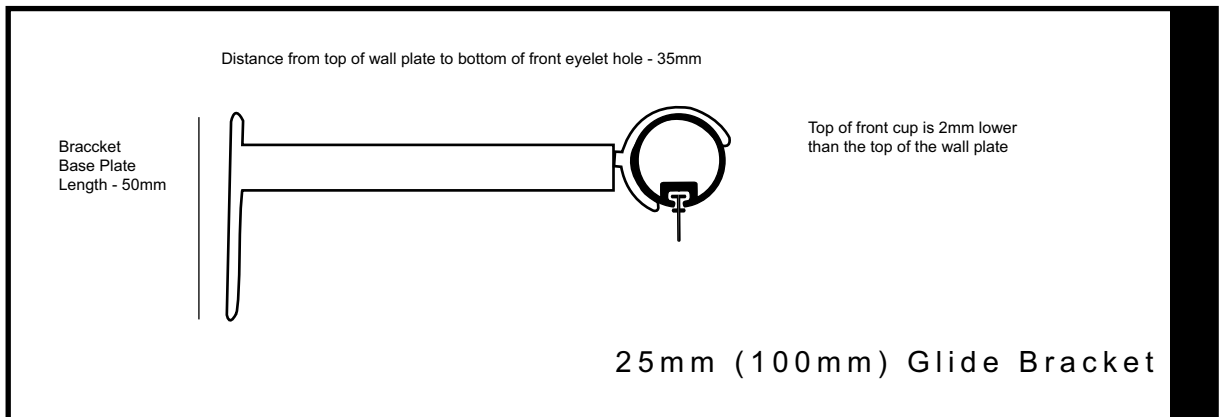
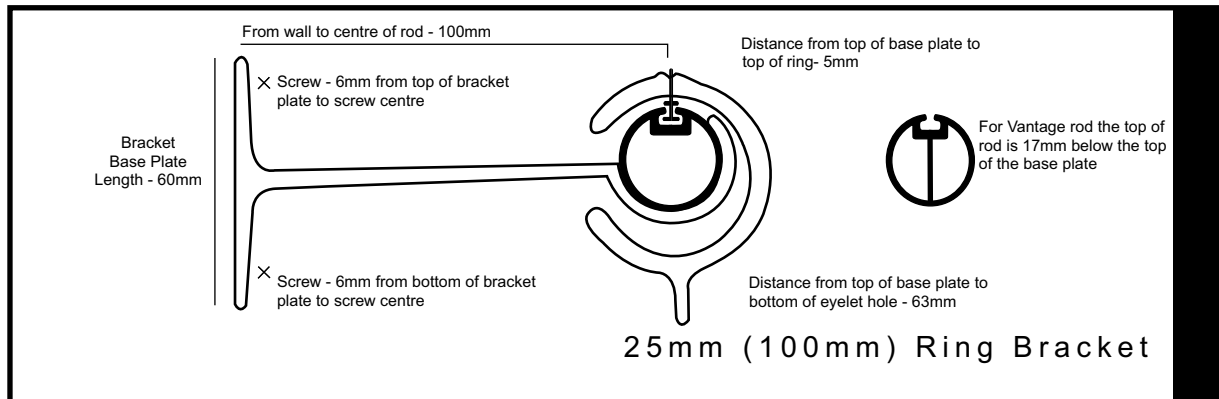
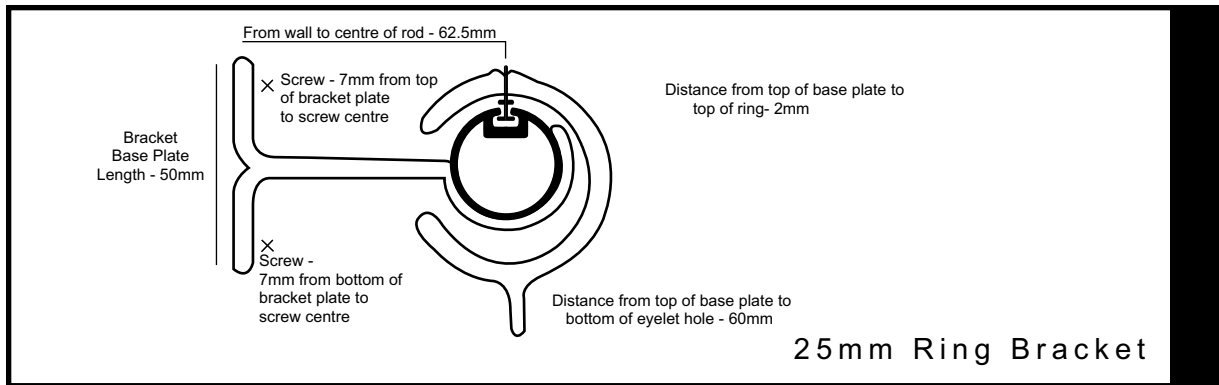
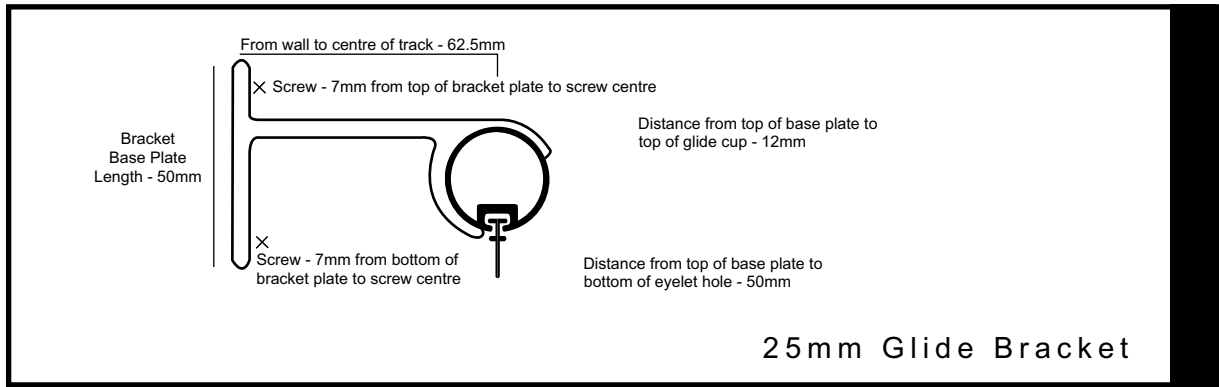
Vanda Victoria Pty Ltd

Unit 5, 52-60 Garden Drive, Tullamarine, VIC, 3043

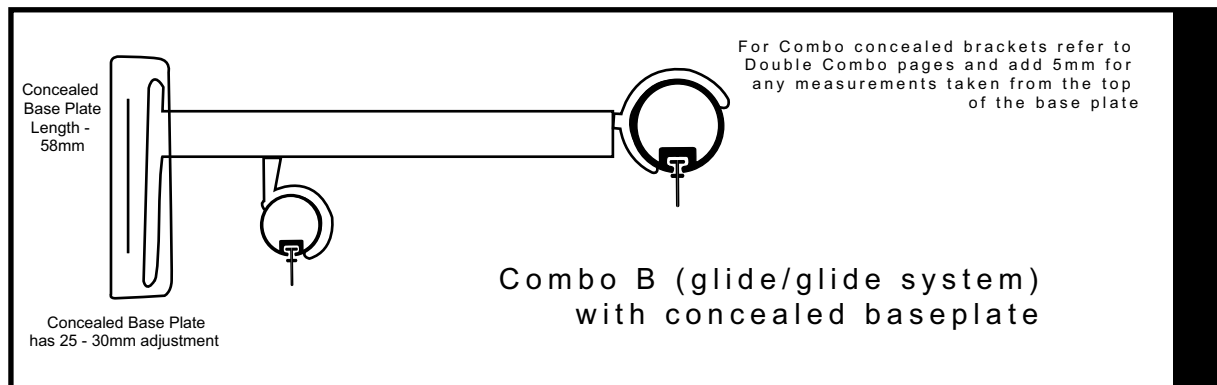
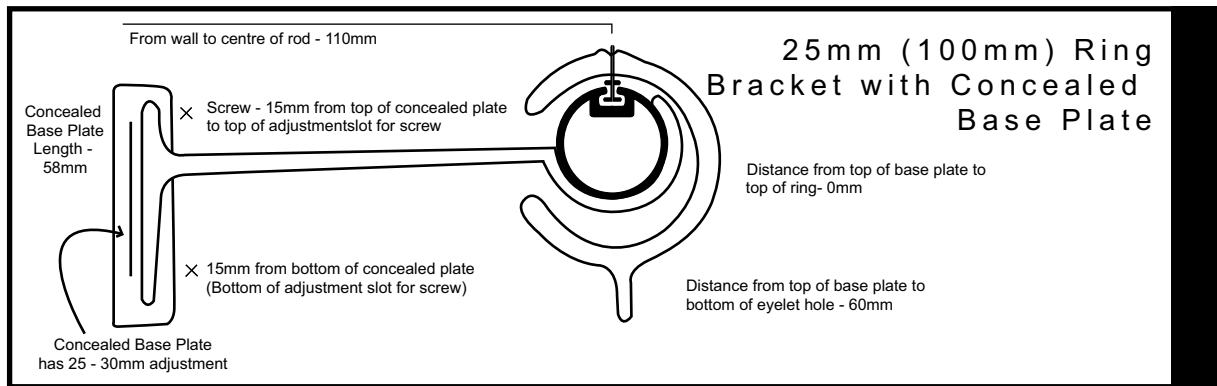
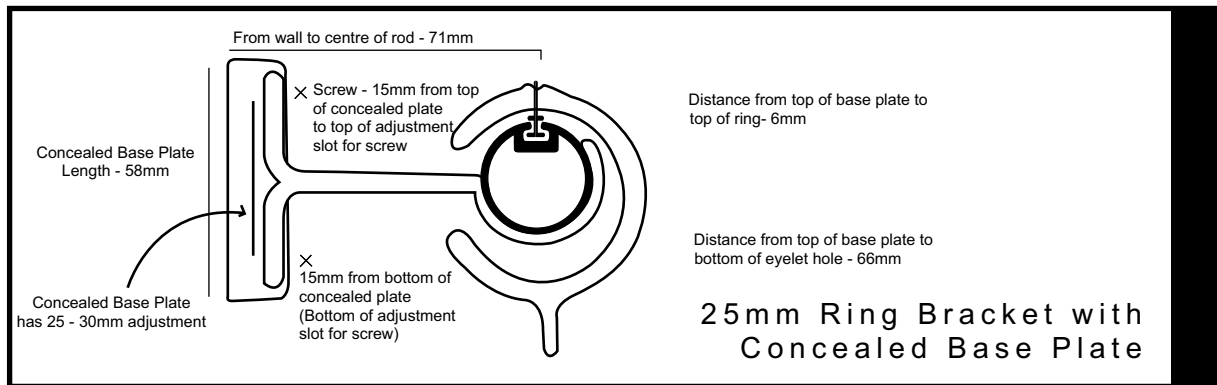
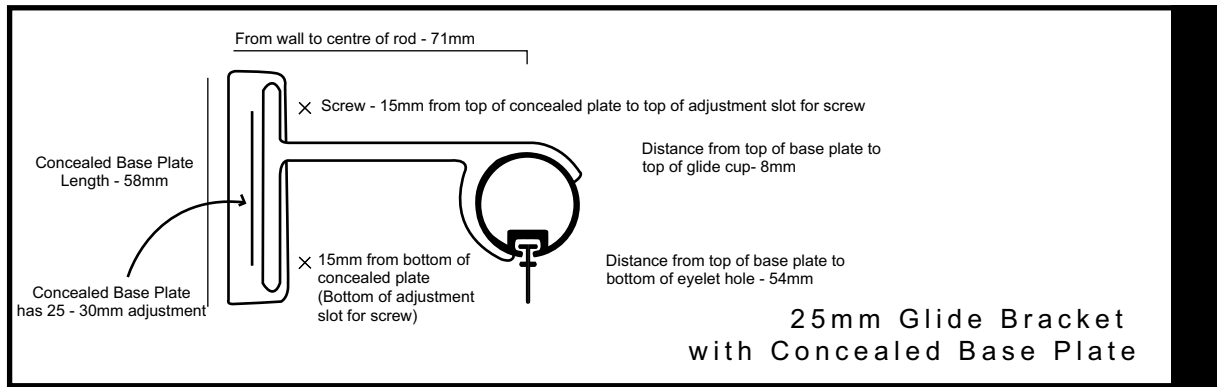
Phone (03) 9335 6355 Fax (03) 9335 6422

E-mail vandavic@bigpond.net.au

25mm SINGLE BRACKETS



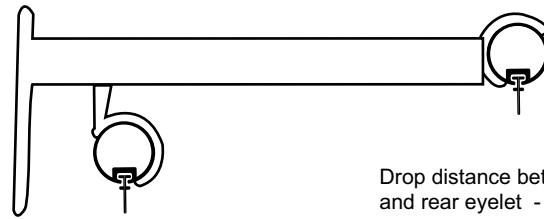
25mm Concealed BRACKETS



DOUBLE COMBO BRACKETS

Distance from top of base plate to bottom of front eyelet hole - 32mm
Distance from top of base plate to bottom of rear eyelet hole - 64mm

Base Plate
length - 50mm
width - 20mm



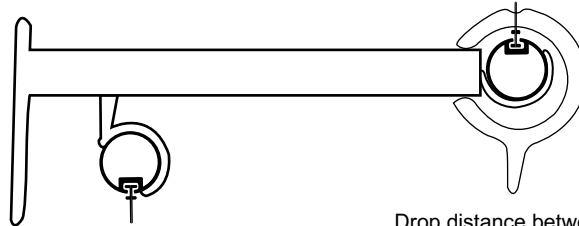
Top of front cup is 7mm lower than the top of the wall plate

Drop distance between front and rear eyelet - 32mm

Combo A (Glide/Glide System)
16mm Front / 16mm Back

Distance from top of base plate to bottom of front eyelet hole - 46mm
Distance from top of base plate to bottom of rear eyelet hole - 64mm

Base Plate
length - 50mm
width - 20mm



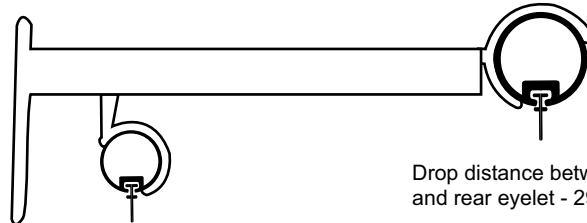
Top of ring is 2mm higher than the top of the wall plate

Drop distance between front and rear eyelet - 18mm

Combo A (Ring/Glide System)
16mm Front / 16mm Back

Distance from top of base plate to bottom of front eyelet hole - 35mm
Distance from top of base plate to bottom of rear eyelet hole - 64mm

Base Plate
length - 50mm
width - 20mm



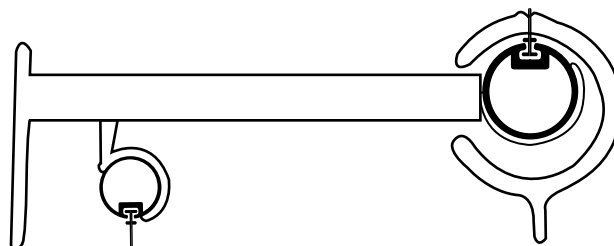
Top of glide cup is 2mm lower than the top of the wall plate

Drop distance between front and rear eyelet - 29mm

Combo B (Glide/Glide System)
25mm Front / 16mm Back

Distance from top of base plate to bottom of front eyelet rod - 54mm
Distance from top of base plate to bottom of rear eyelet hole - 64mm

Base Plate
length - 50mm
width - 20mm



Top of ring is 6mm higher than the top of the wall plate

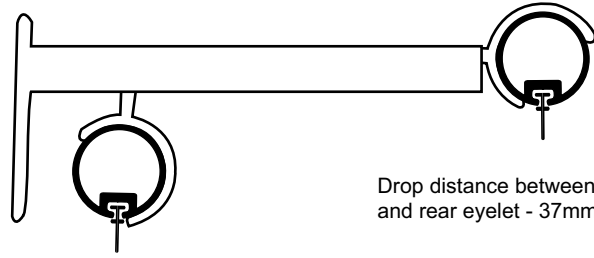
Drop distance between front and rear eyelet - 10mm

Combo B (Ring/Glide System)
25mm Front / 16mm Back

DOUBLE COMBO BRACKETS Continued

Distance from top of base plate to bottom of front eyelet hole - 35mm
Distance from top of base plate to bottom of rear eyelet hole - 72mm

Base Plate
length - 50mm
width - 20mm



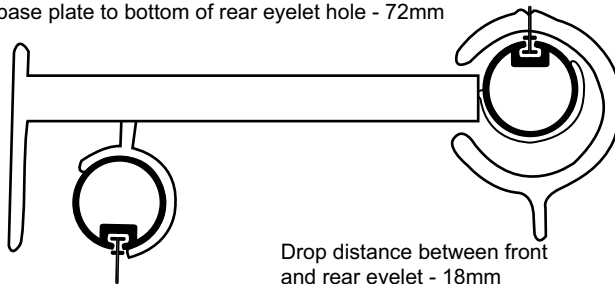
Top of front cup is 2mm lower than the top of the wall plate

Drop distance between front and rear eyelet - 37mm

Combo C (Glide/Glide System)
25mm Front / 25mm Back

Distance from top of base plate to bottom of front eyelet hole - 54mm
Distance from top of base plate to bottom of rear eyelet hole - 72mm

Base Plate
length - 50mm
width - 20mm



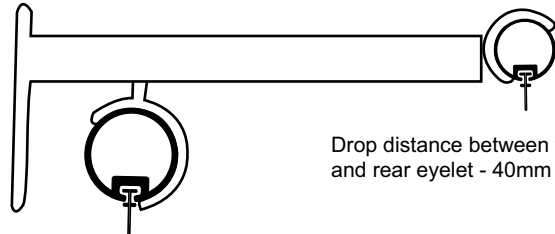
Top of ring is 6mm higher than the top of the wall plate

Drop distance between front and rear eyelet - 18mm

Combo C (Ring/Glide System)
25mm Front / 25mm Back

Distance between top of base plate and bottom of front eyelet hole - 32mm
Distance between top of base plate and bottom of rear eyelet hole - 72mm

Base Plate
length - 50mm
width - 20mm



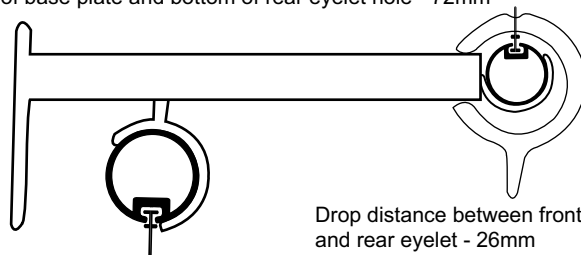
Top of front cup is 7mm lower than the top of the wall plate

Drop distance between front and rear eyelet - 40mm

Combo D (Glide/Glide System)
16mm Front / 25mm Back

Distance between top of base plate and bottom of front eyelet hole - 46mm
Distance between top of base plate and bottom of rear eyelet hole - 72mm

Base Plate
length - 50mm
width - 20mm

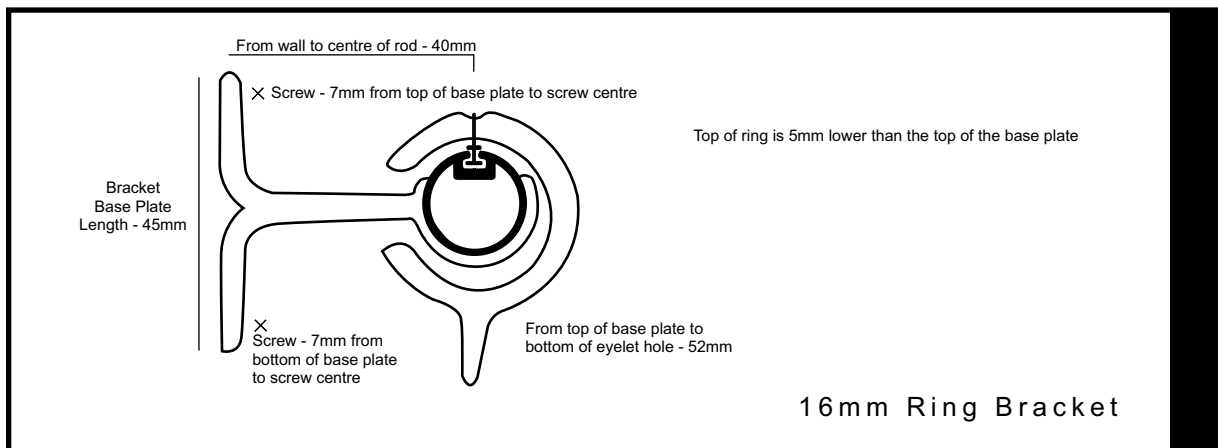
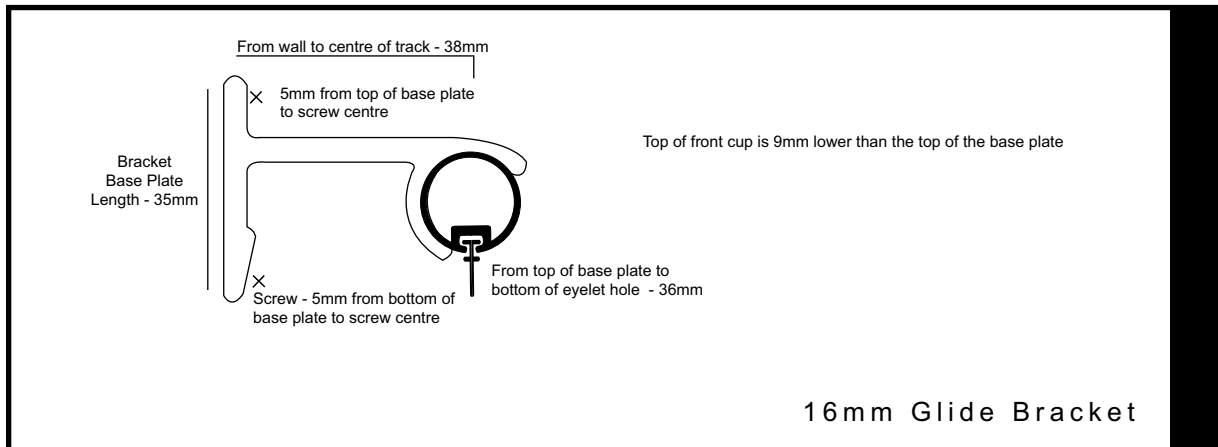


Top of front ring is 2mm higher than the top of the wall plate

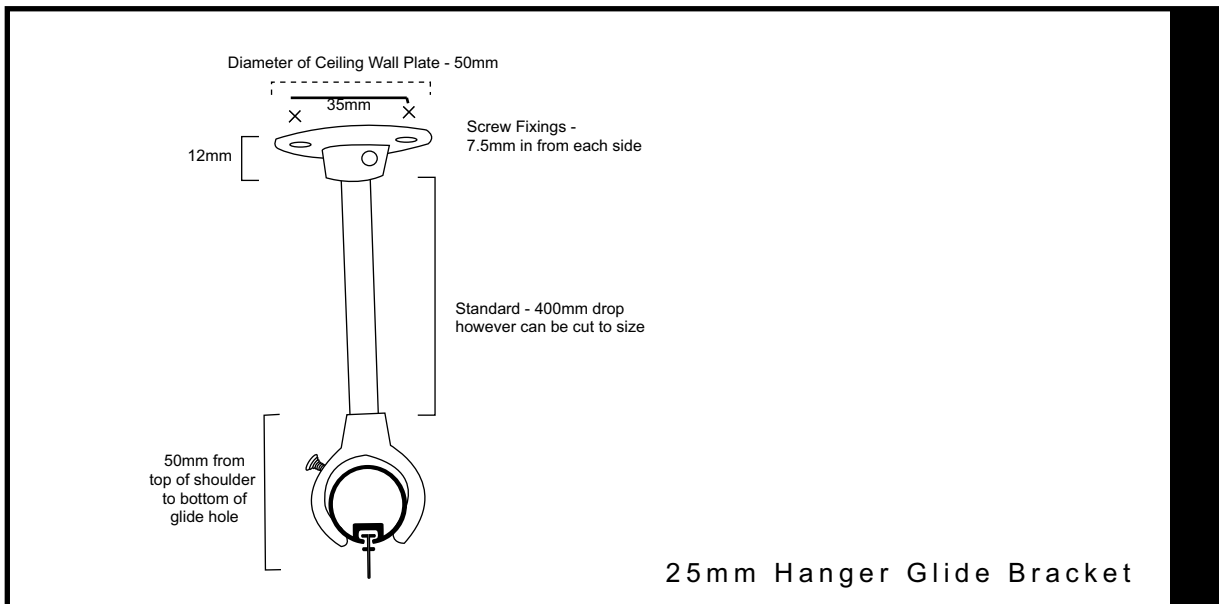
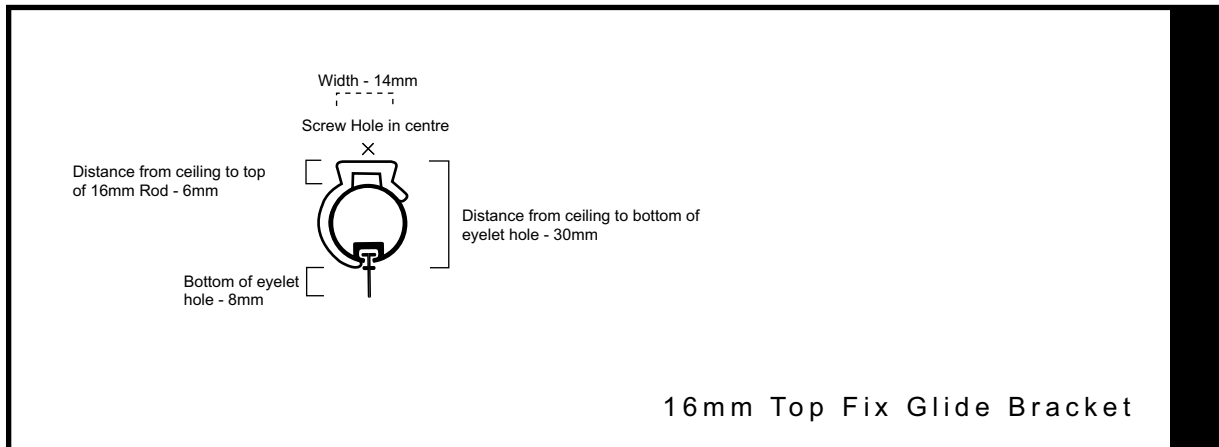
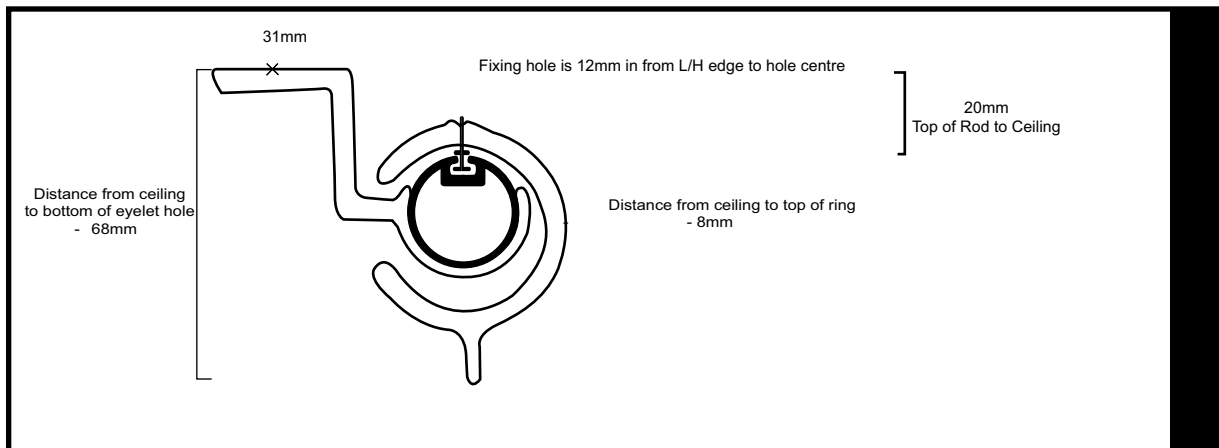
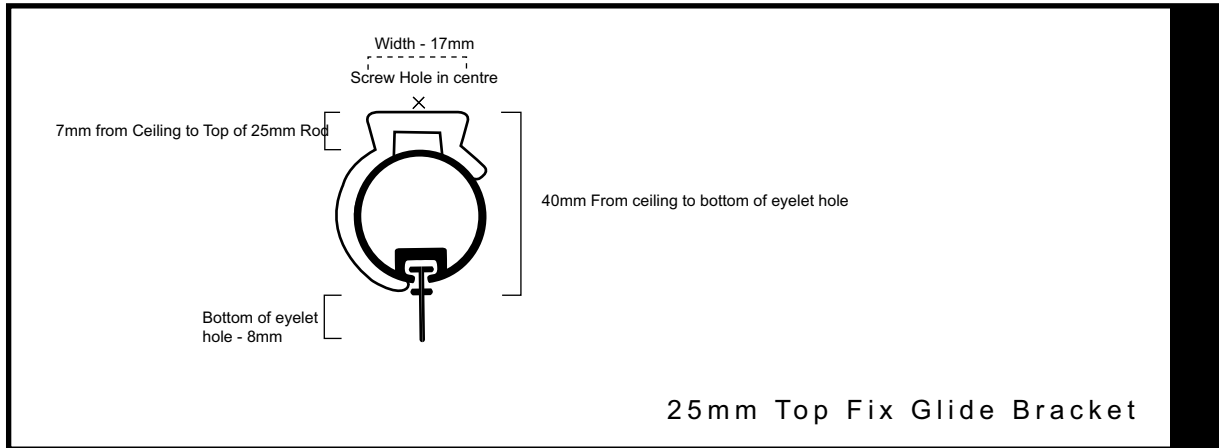
Drop distance between front and rear eyelet - 26mm

Combo D (Ring/Glide System)
16mm Front / 25mm Back

16mm STANDARD BRACKETS



25mm & 16mm TOP FIX BRACKETS



25mm & 16mm END WALL BRACKETS

